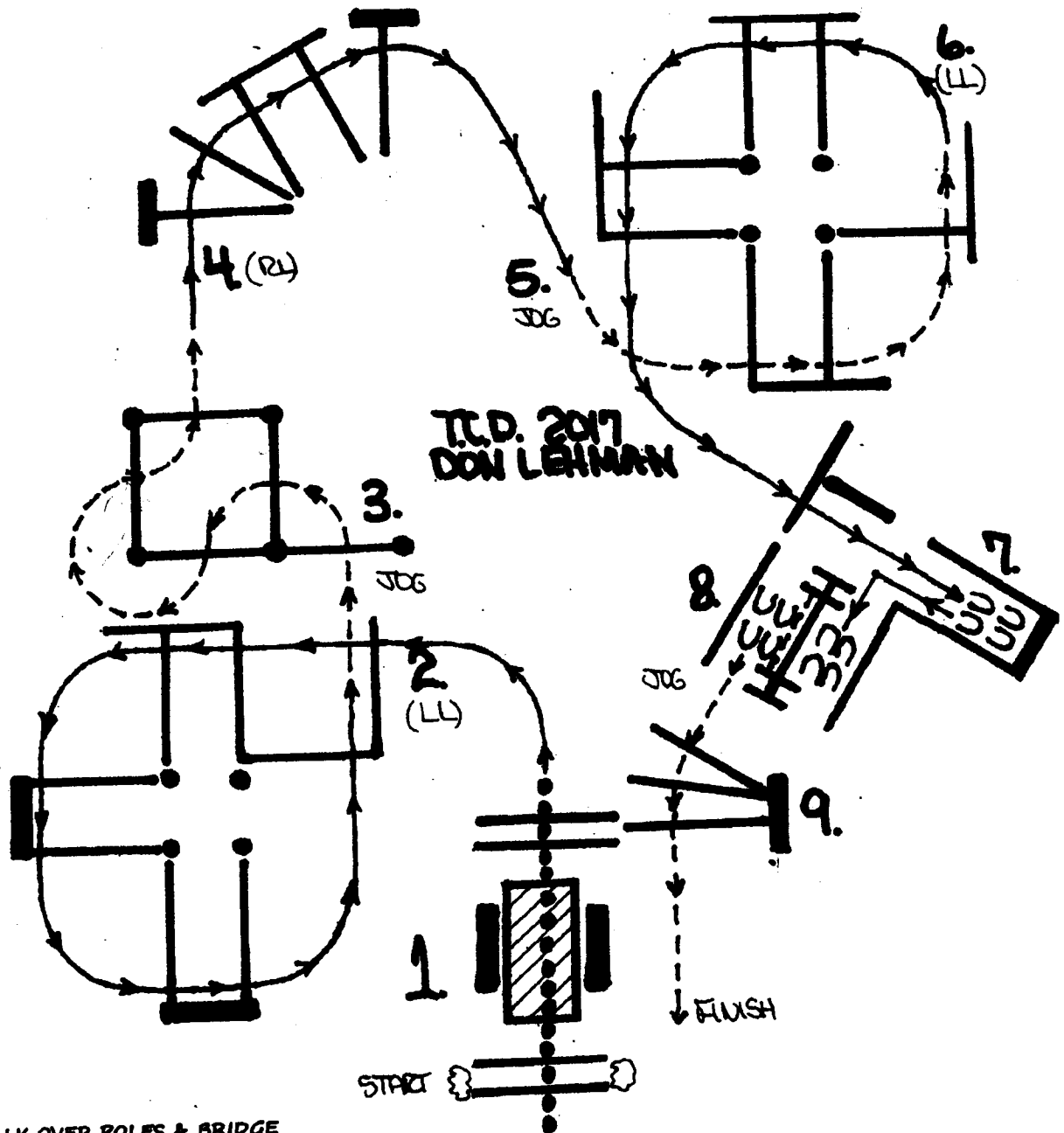


REGION 2 ARABIAN CHAMPIONSHIP SHOW 6-17-22

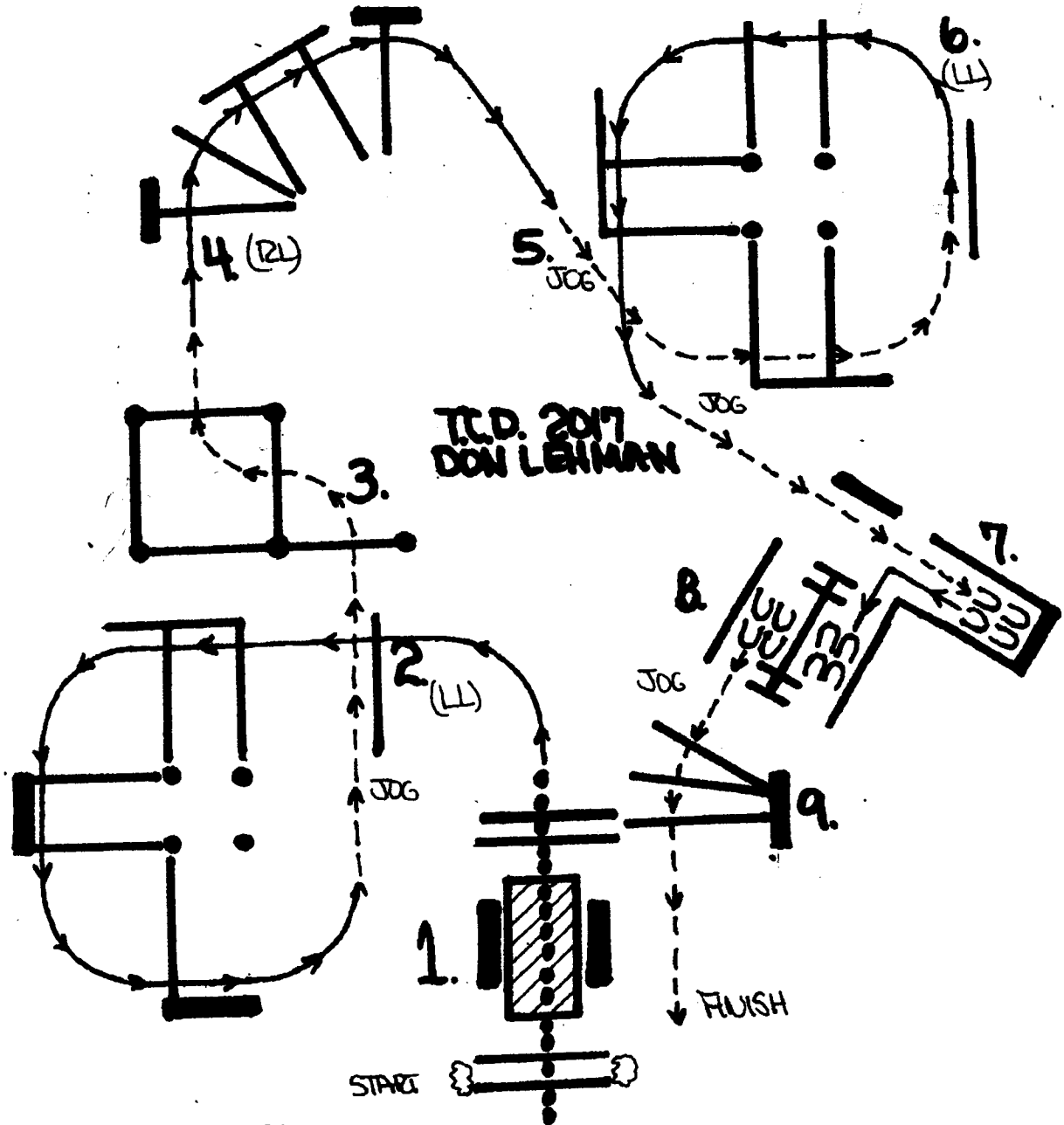
328-ARAB ENGLISH CHAMPIONSHIP
329-HA/AA ENGLISH CHAMPIONSHIP



1. WALK OVER POLES & BRIDGE
2. LOPE OVER POLES (LL)
3. JOG THRU SERPENTINE & OVER POLES
4. LOPE OVER POLES (RL)
5. JOG & OVER 3 POLES
6. LOPE OVER 5 POLES (LL) & INTO CHUTE
7. BACK THRU POLES TO GATE
8. GATE (LH) RIDE THRU OVER POLE CLOSE
9. JOG OVER 3 POLES

REGION 2 ARABIN CHAMPIONSHIP SHOW 6-17-22

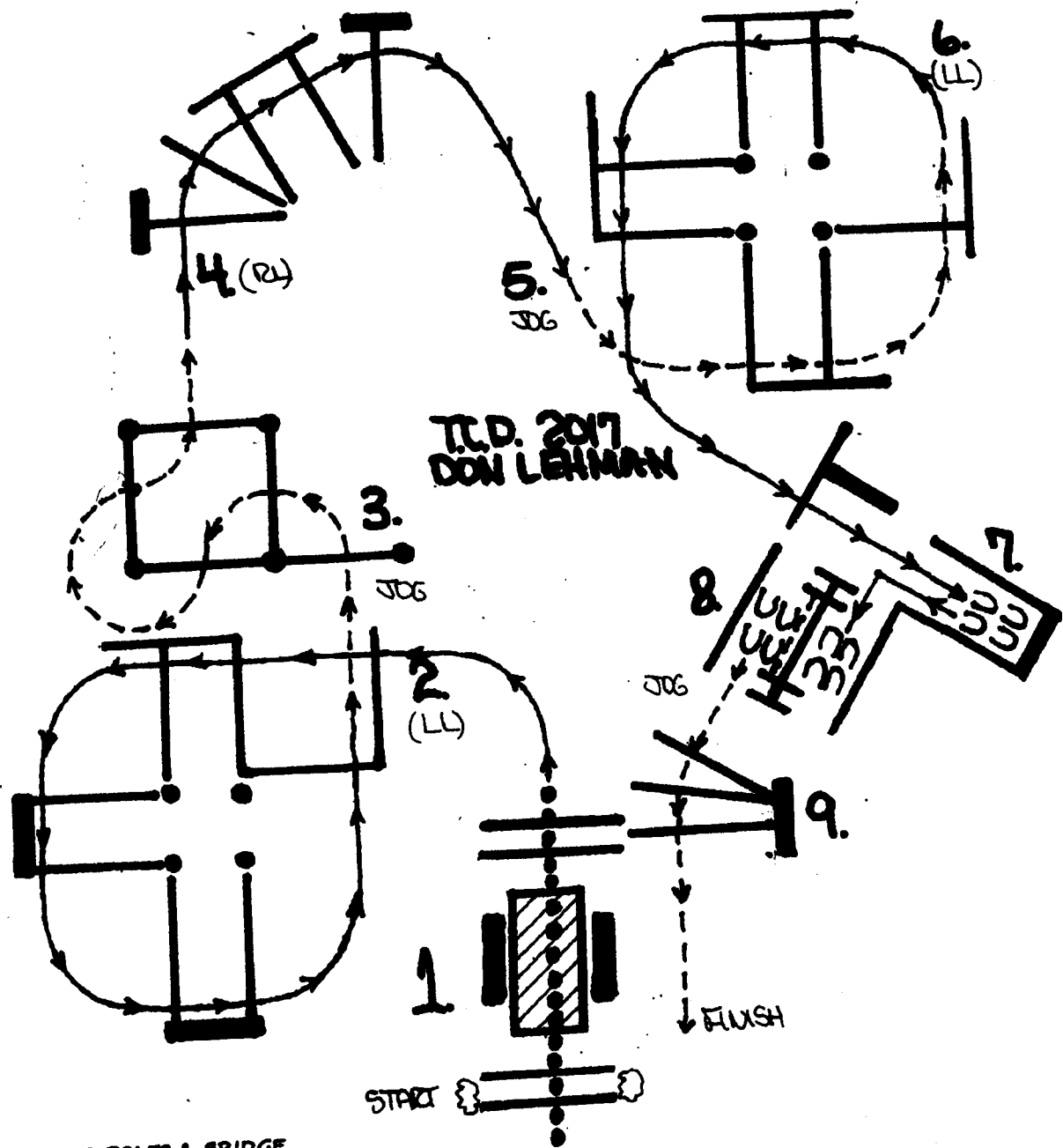
330-ARAB ENGLISH CHAMPIONSHIP ATR
331-HA/AA ENGLISH CHAMPIONSHIP ATR



1. WALK OVER POLES & BRIDGE
2. LOPE OVER POLES (LL)
3. JOG THRU SERPENTINE & OVER POLES
4. LOPE OVER POLES (RL)
5. DOWN TO JOG & OVER 2 POLES
6. LOPE OVER 4 POLES (LL) BREAK DOWN TO JOG & INTO CHUTE
7. BACK THRU POLES TO GATE
8. GATE:(LH) RIDE THRU CLOSE
9. JOG OVER 3 POLES

REGION 2 ARABIAN CHAMPIONSHIP SHOW 6-17-22

332-ARAB WESTERN CHAMPIONSHIP-OPEN
336-HA/AA WESTERN CHAMPIONSHIP-OPEN



1. WALK OVER POLES & BRIDGE
2. LOPE OVER POLES (LL)
3. JOG THRU SERPENTINE & OVER POLES
4. LOPE OVER POLES (RL)
5. JOG & OVER 3 POLES
6. LOPE OVER 5 POLES (LL) & INTO CHUTE
7. BACK THRU POLES TO GATE
8. GATE:(LH) RIDE THRU OVER POLE CLOSE
9. JOG OVER 3 POLES

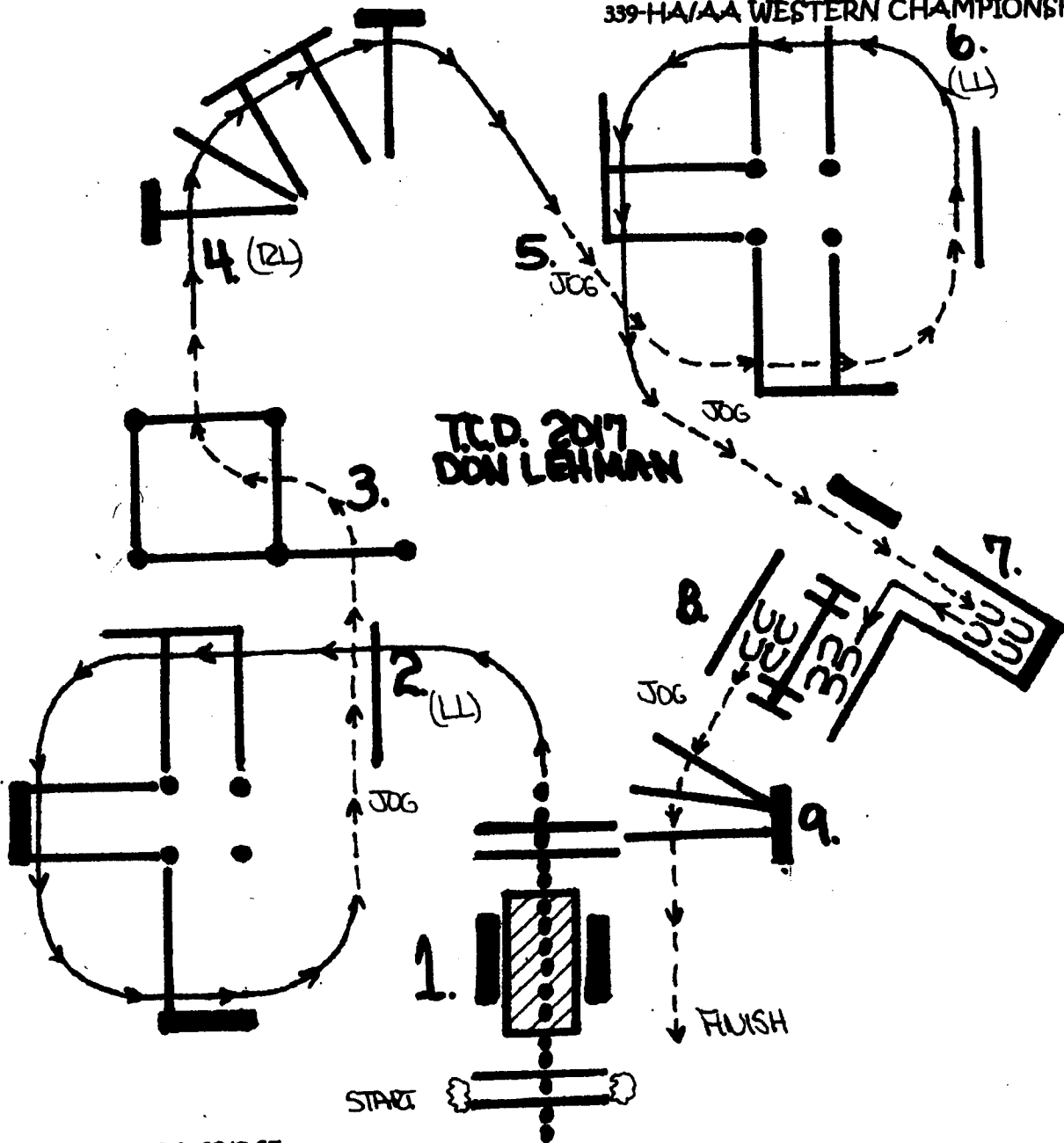
REGION 2 ARABIN CHAMPIONSHIP SHOW 6-17-22

333-ARAB WESTERN CHAMPIONSHIP ATR

335-ARAB WESTERN CHAMPIONSHIP AAOTR
19 & OVER

337-HA/AA WESTERN CHAMPIONSHIP ATR

339-HA/AA WESTERN CHAMPIONSHIP AAOT

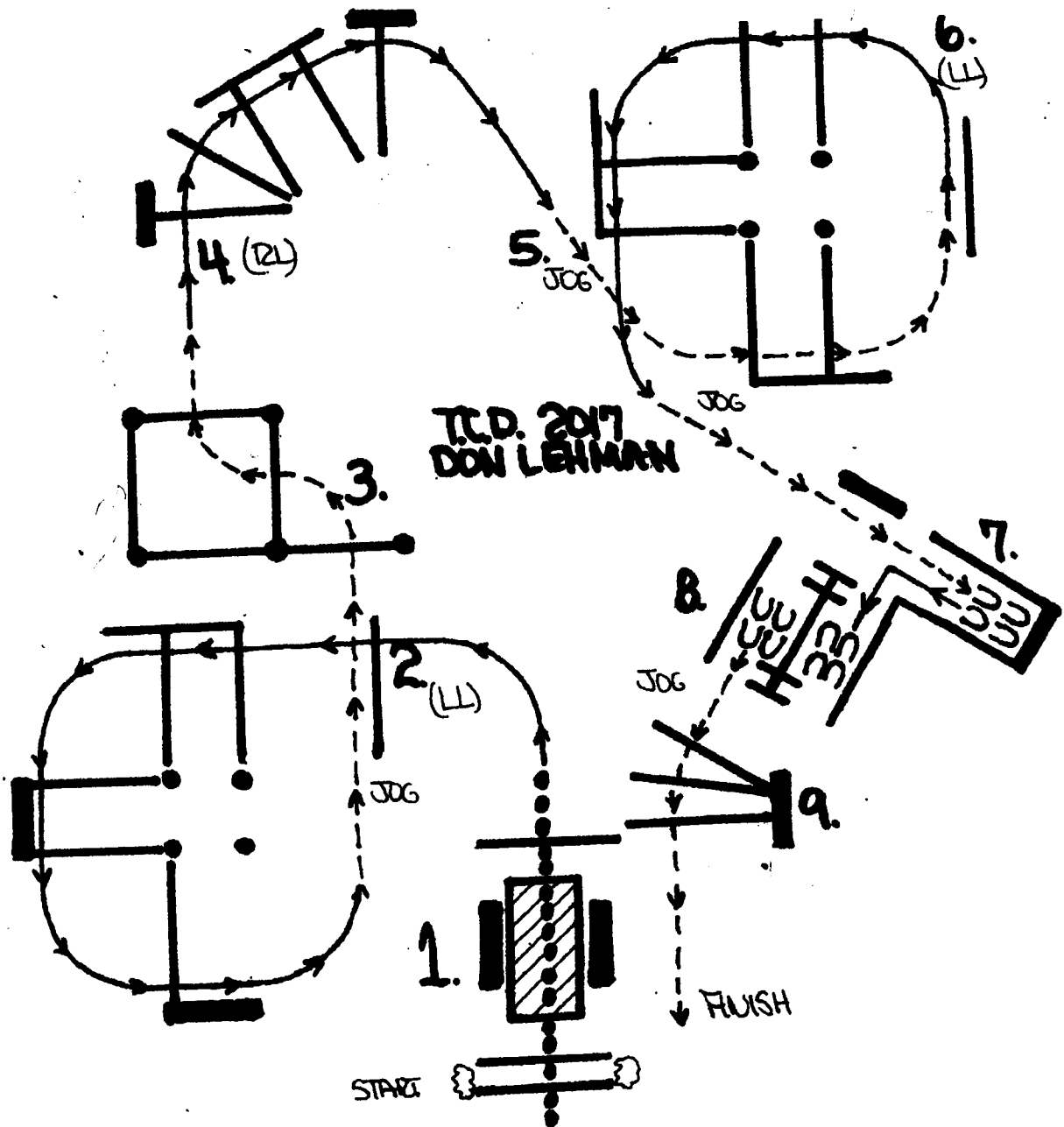


1. WALK OVER POLES & BRIDGE
2. LOPE OVER POLES (LL)
3. JOG THRU SERPENTINE & OVER POLES
4. LOPE OVER POLES (RL)
5. DOWN TO JOG & OVER 2 POLES
6. LOPE OVER 4 POLES (LL) BREAK DOWN TO JOG & INTO CHUTE
7. BACK THRU POLES TO GATE
8. GATE:(LH) RIDE THRU CLOSE
9. JOG OVER 3 POLES

REGION 2 ARABIAN CHAMPIONSHIP SHOW 6-17-22

334-ARAB WESTERN CHAMPIONSHIP JR

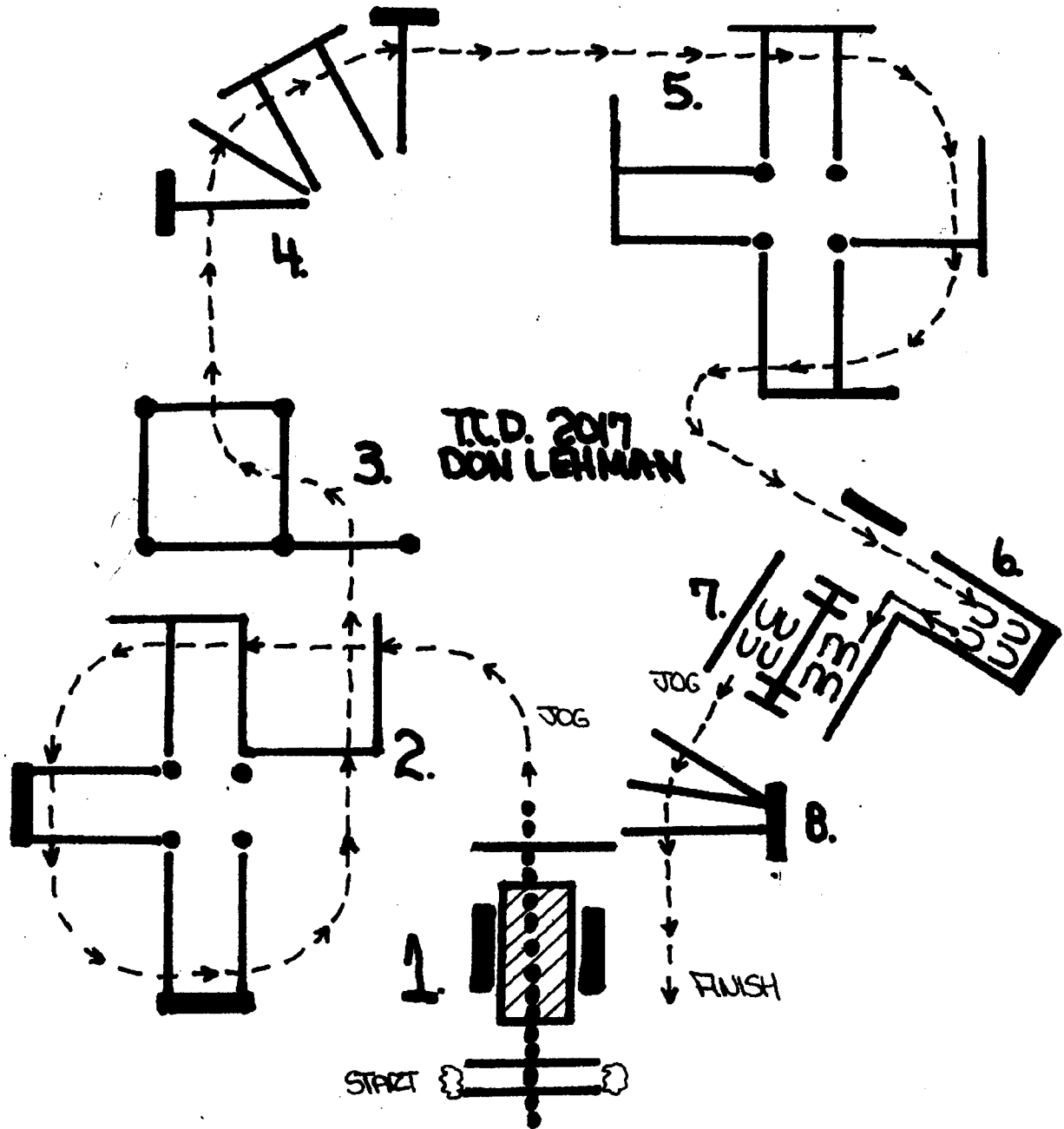
338-HA/AA WESTERN CHAMPIONSHIP JR



1. WALK OVER POLES & BRIDGE
2. LOPE OVER POLES (LL)
3. JOG THRU SERPENTINE & OVER POLES
4. LOPE OVER POLES (RL)
5. DOWN TO JOG & OVER 2 POLES
6. LOPE OVER 4 POLES (LL) BREAK DOWN TO JOG & INTO CHUTE
7. BACK THRU POLES TO GATE
8. GATE:(LH) RIDE THRU CLOSE
9. JOG OVER 3 POLES

**REGION 2 ARABIAN
CHAMPIONSHIP
SHOW 6-17-22**

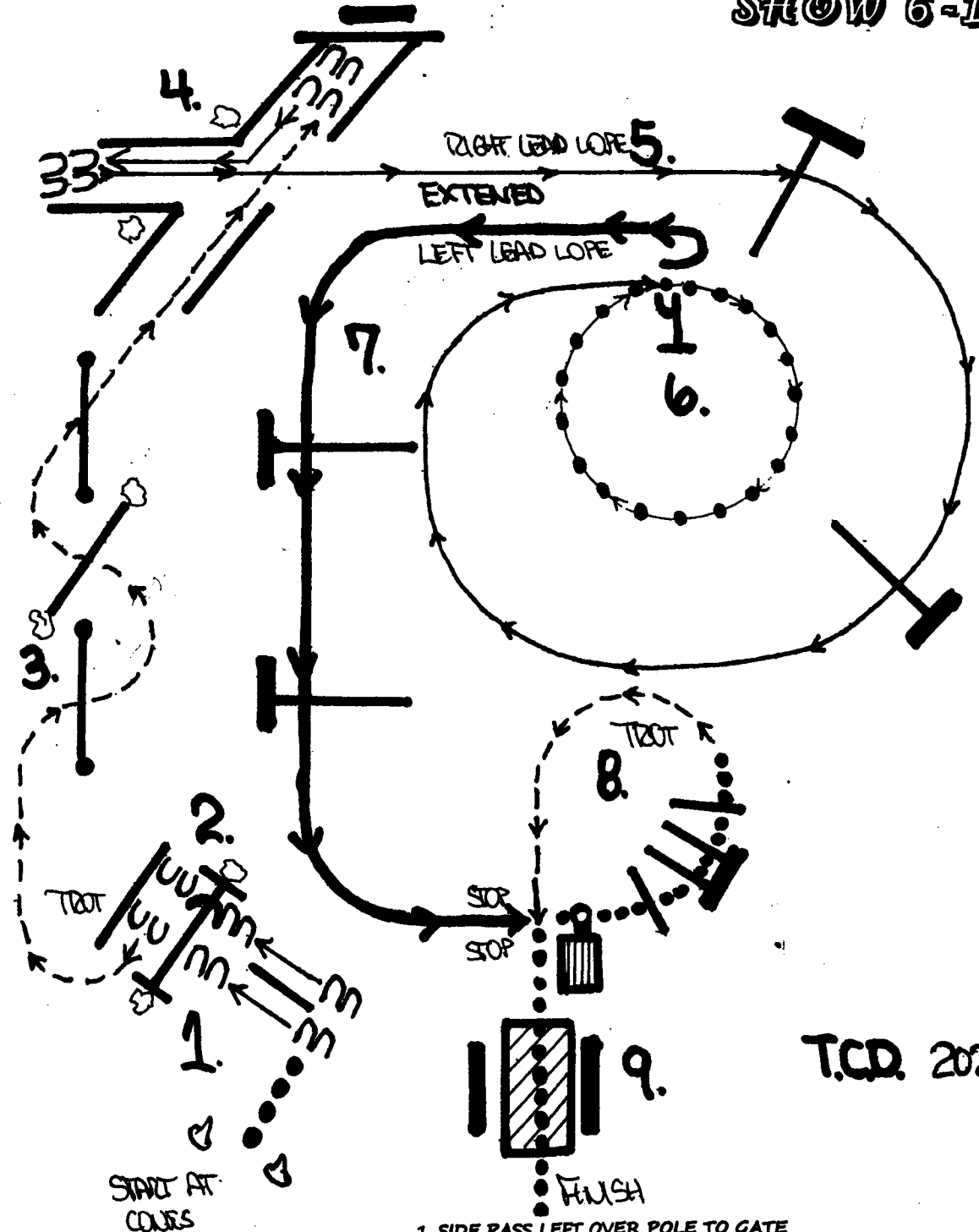
340-A-HA-AA WALK/JOG ENGLISH
WESTERN 10 + UND-CHAMPIONSHIP



1. WALK OVER POLES & BRIDGE
2. JOG OVER 8 POLES
3. JOG THRU SERPENTINE & OVER POLES
4. JOG OVER 5 POLES
5. JOG OVER 5 POLES & INTO CHUTE
6. BACK THRU POLES TO GATE
7. GATE:(LH) RIDE THRU CLOSE
8. JOG OVER 3 POLES

341-ARABRANCH CHAMPIONSHIP OPEN
 342-HA/AA RANCH CHAMPIONSHIP OPEN
 343-ARAB RANCH CHAMPIONSHIP ATR
 344-HA/AA RANCH CHAMPIONSHIP ATR

REGION 2 ARABIAN CHAMPIONSHIP SHOW 6-17-22



T.C.D. 2022

1. SIDE PASS LEFT OVER POLE TO GATE
2. GATE (LH) PUSH OPEN RIDE THRU CLOSE
3. TROT THRU SERPENTINE OVER POLE INTO CHUTE
4. BACK THRU POLES LOPE OUT OF CHUTE (RL)
5. LOPE OVER POLES (RL) TO DRAG
6. GRAB ROPE DRAG LOG AROUND CONE AT WALK OR TROT, HANG ROPE BACK ON HOOK
7. 1/2 TURN LEFT ~ (LL) EXTENDED LOPE OVER POLES & STOP AT BARREL
8. PICK UP BUCKET WALK OVER POLES TROT BACK TO BARREL PLACE BUCKET ON BARREL
9. WALK OVER BRIDGE