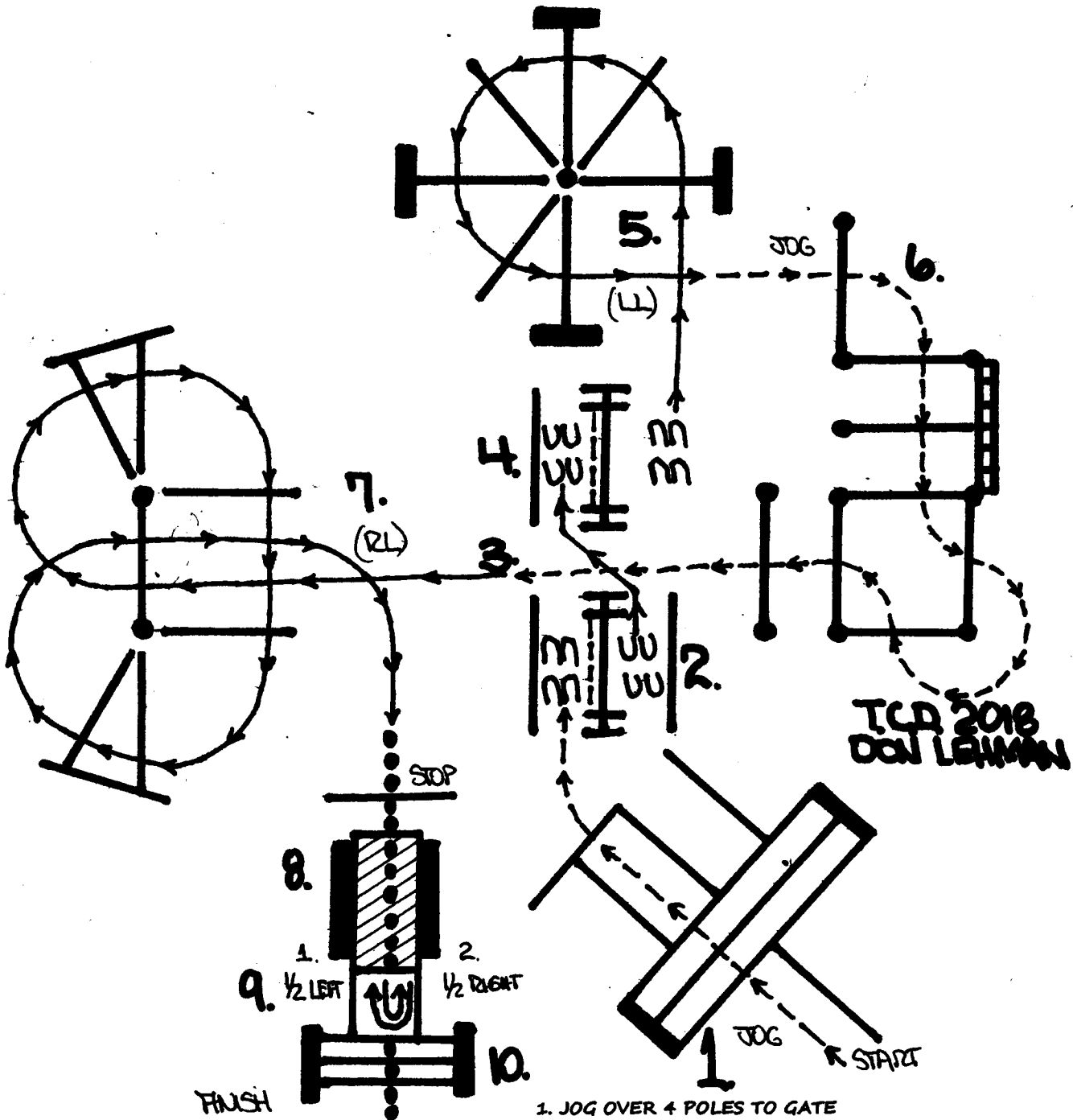


REGION 2 ARABIAN

PRE-SHOW

6-15-22

101-ARAB ENGLISH OPEN
102-HA/AA ENGLISH OPEN



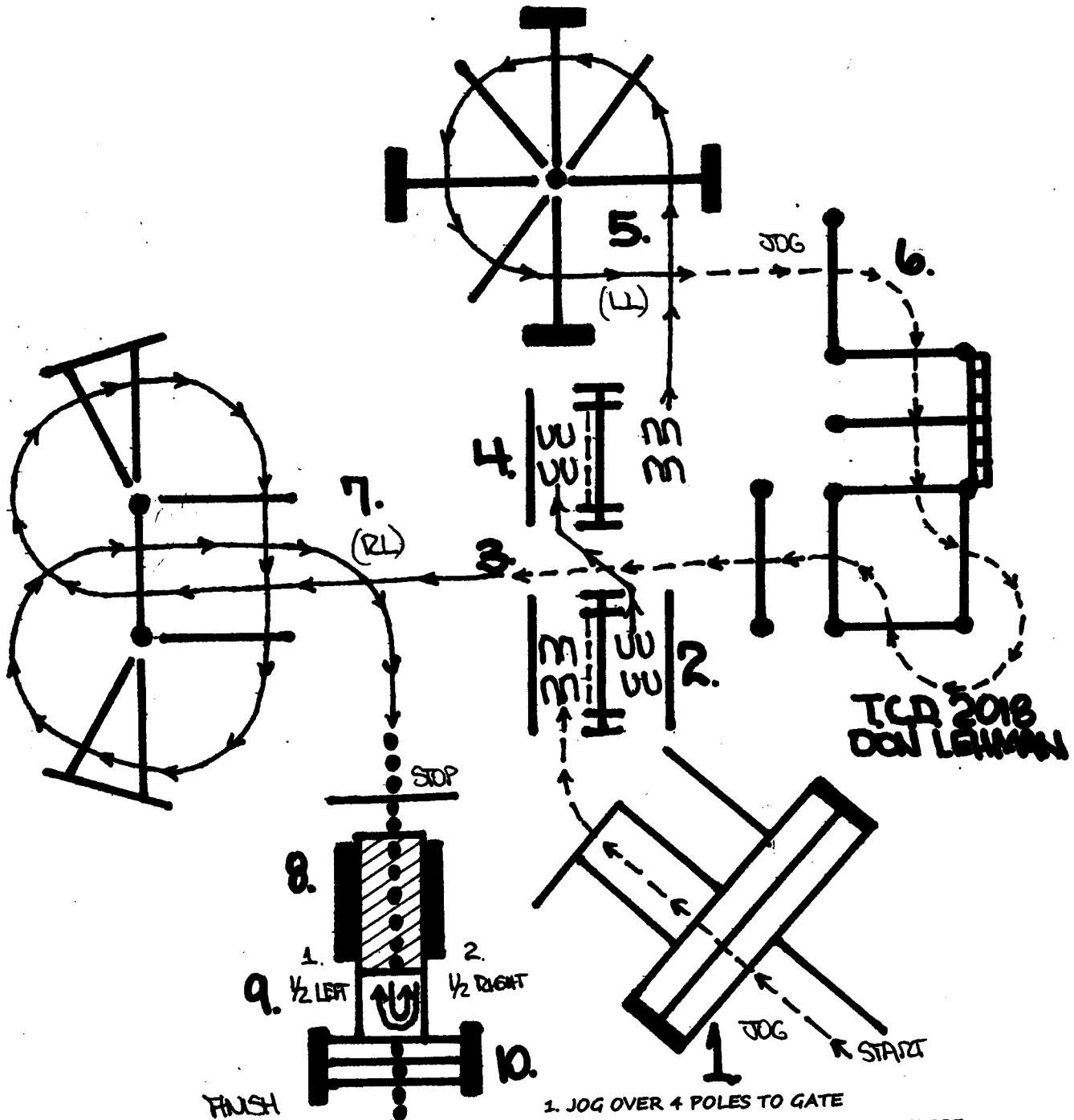
1. JOG OVER 4 POLES TO GATE
2. GATE:(LH) RIDE THRU OVER POLE CLOSE
3. BACK CHUTE TO CHUTE TO 2nd GATE
4. GATE:(LH) RIDE THRU OVER POLE CLOSE
5. LOPE OVER POLES (LL)
6. JOG THRU SERPENTINE & OVER POLES
7. LOPE OVER POLES (RL) & STOP AT POLE
8. WALK OVER POLE, BRIDGE & INTO BOX
9. 1/2 TURN LEFT & 1/2 TURN RIGHT & WALK OUT
10. WALK OVER POLES

REGION 2 ARABIAN

PRE-SHOW

6-15-22

103-ARAB WESTERN OPEN
104-HA/AA WESTERN OPEN



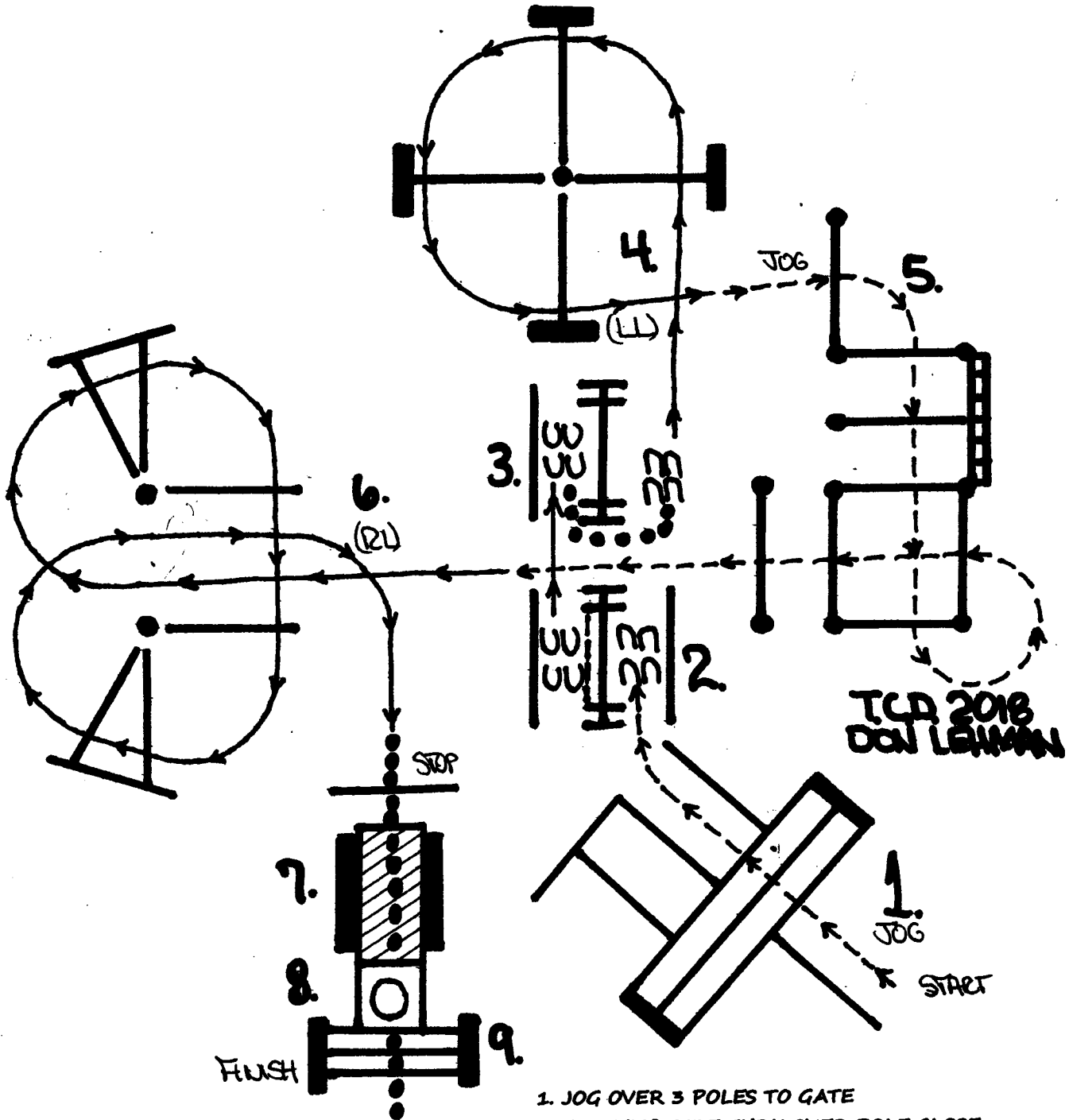
1. JOG OVER 4 POLES TO GATE
2. GATE:(LH) RIDE THRU OVER POLE CLOSE
3. BACK CHUTE TO CHUTE TO 2nd GATE
4. GATE:(LH) RIDE THRU OVER POLE CLOSE
5. LOPE OVER POLES (LL)
6. JOG THRU SERPENTINE & OVER POLES
7. LOPE OVER POLES (RL) & STOP AT POLE
8. WALK OVER POLE, BRIDGE & INTO BOX
9. 1/2 TURN LEFT & 1/2 TURN RIGHT & WALK OUT
10. WALK OVER POLES

REGION 2 ARABIAN

PRE-SHOW

6-15-22

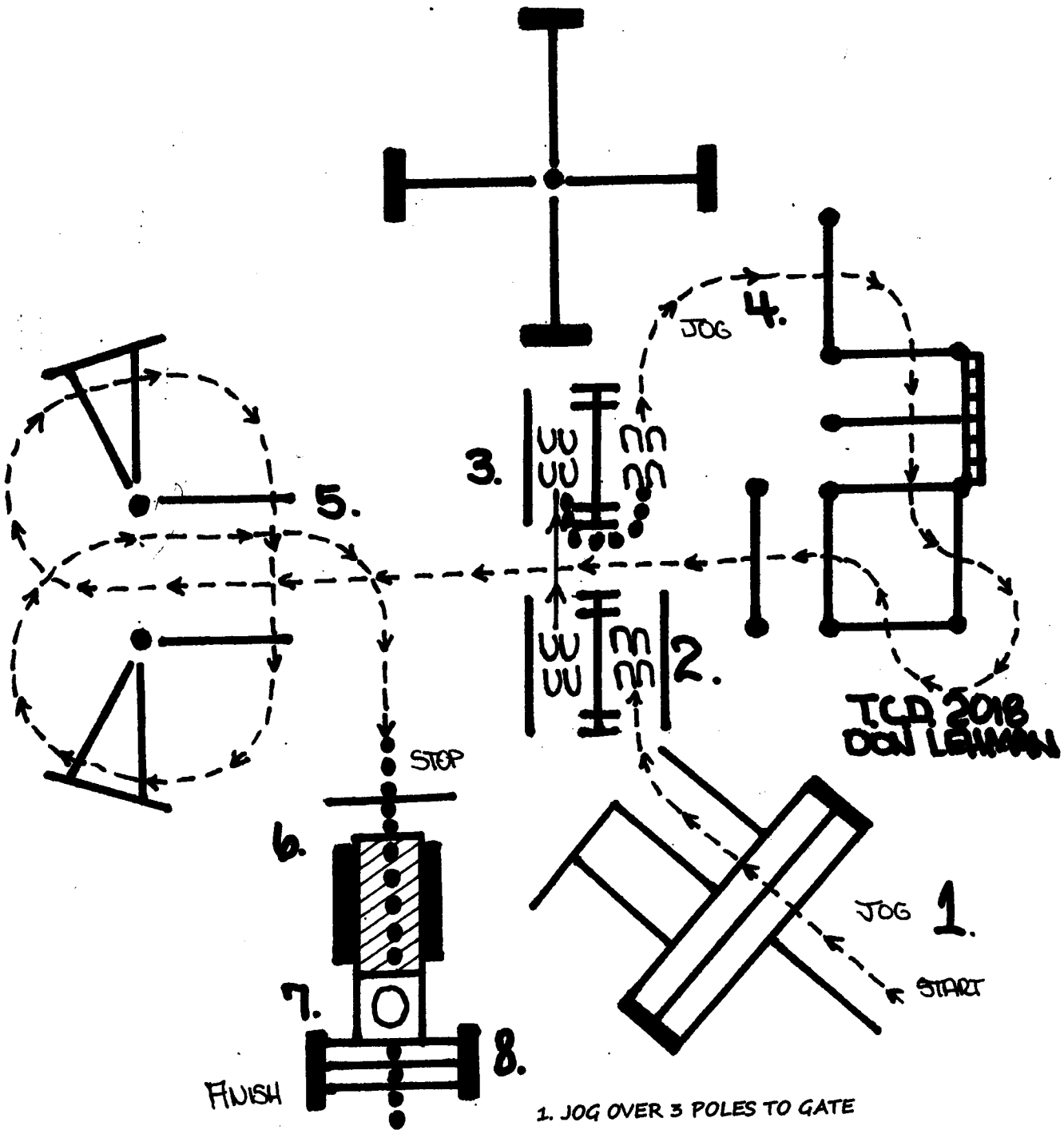
105-ARAB WESTERN JR HORSE
106-HA/AA WESTERN JR HORSE



1. JOG OVER 3 POLES TO GATE
2. GATE:(LH) RIDE THRU OVER POLE CLOSE
3. BACK STRAIGHT BACK TO 2nd GATE & STOP
4. WALK AROUND GATE, LOPE OVER POLES (LL)
5. JOG THRU SERPENTINE & OVER POLES
6. LOPE OVER POLES (RL) & STOP AT POLE
7. WALK OVER POLE, BRIDGE & INTO BOX
8. 360 EITHER WAY WALK OUT
9. WALK OVER POLES

**REGION 2 ARABIAN
PRE-SHOW
6-15-22**

107 A-HA-AA WALK/JOG ENGLISH
WESTERN 10 + UND



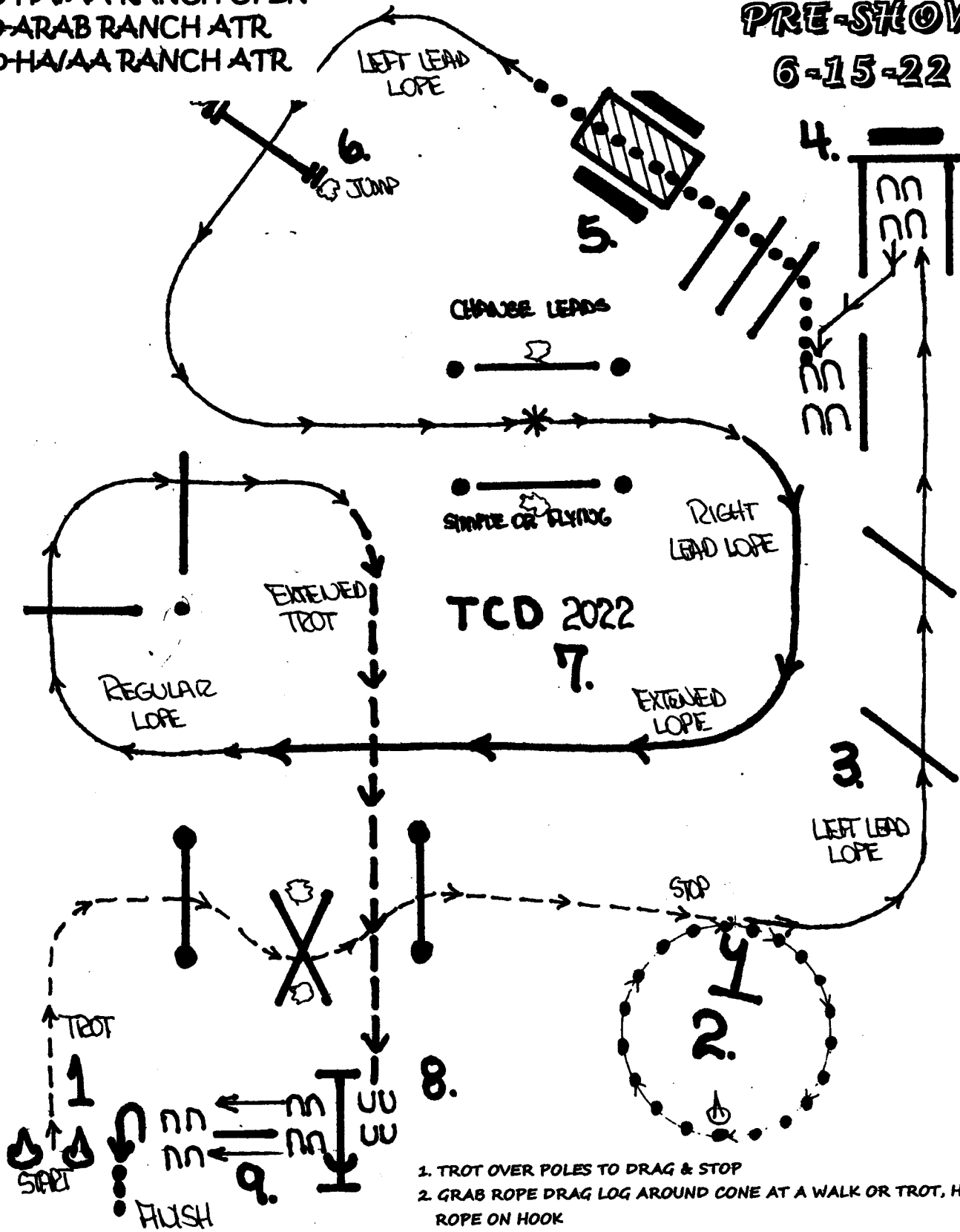
1. JOG OVER 3 POLES TO GATE
2. GATE:(LH) RIDE THRU CLOSE
3. BACK STRAIGHT BACK TO 2nd GATE & STOP
4. WALK AROUND GATE, JOG THRU SERPENTINE & OVER POLES
5. JOG OVER POLES & STOP AT POLE
6. WALK OVER POLES, BRIDGE & INTO BOX
7. 360 EITHER WAY WALK OUT
8. WALK OVER POLES

108-ARAB RANCH OPEB
 109-HA/AA RANCH OPEN
 119-ARAB RANCH ATR
 120-HA/AA RANCH ATR

REGION 2 ARABIAN

PRE-SHOW

6-15-22



1. TROT OVER POLES TO DRAG & STOP
2. GRAB ROPE DRAG LOG AROUND CONE AT A WALK OR TROT, HAND ROPE ON HOOK
3. LOPE (LL) OVER POLES & INTO CHUTE
4. BACK OUT OF CHUTE
5. WALK OVER POLES & BRIDGE
6. LOPE (LL) OVER JUMP CHANGE LEADS BETWEEN POLES
7. EXTENDED LOPE (RL), REGULAR LOPE OVER POLES, EXTENDED TROT TO GATE
8. GATE (RH) PUSH GATE OPEN RIDE THRU CLOSE
9. SIDE PASS LEFT OVER POLE 1/2 TURN LEFT & WALK AWAY